

ASCO 185 SERIES AUTOMATIC & MANUALLY OPERATED POWER TRANSFER SWITCHES RATED 100, 200, & 230 AMPERES, 240 VAC, SINGLE PHASE/3 WIRE

D

C

B

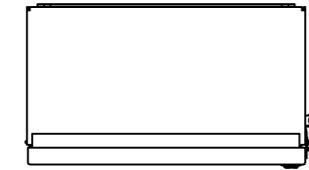
A

D

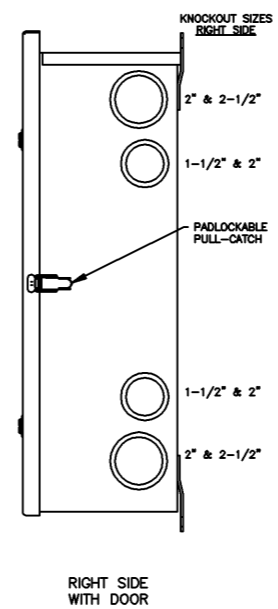
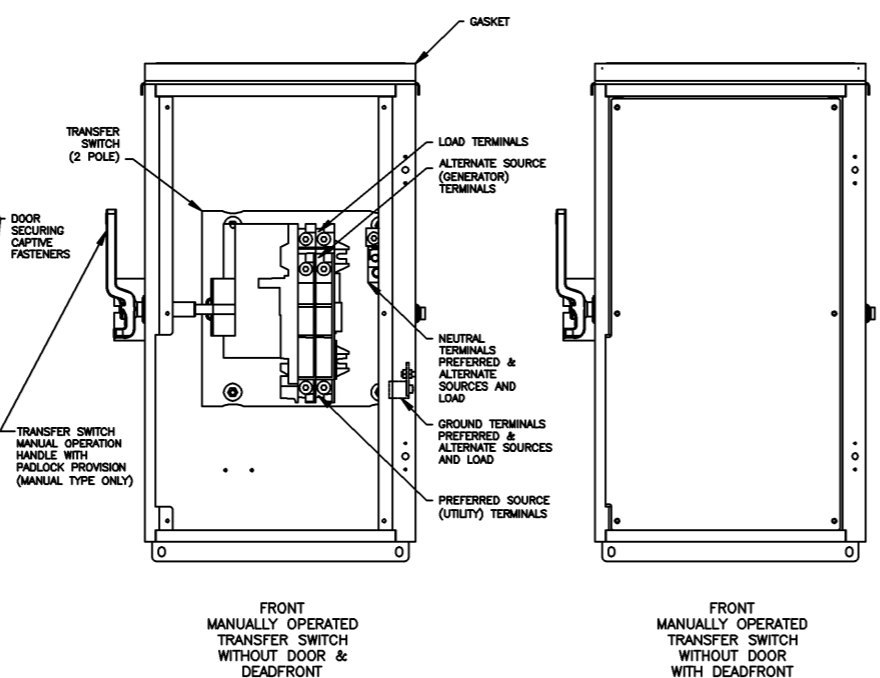
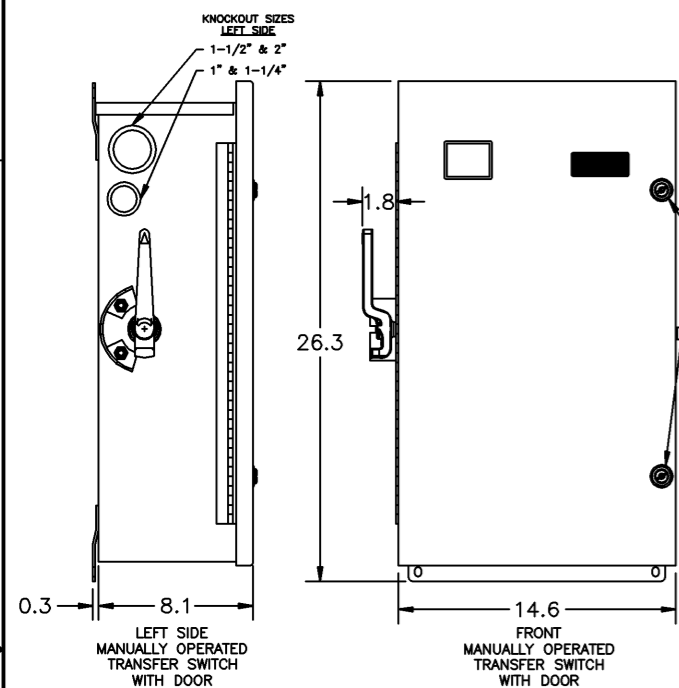
C

B

A

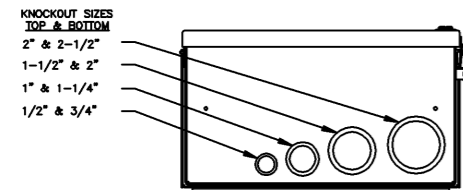
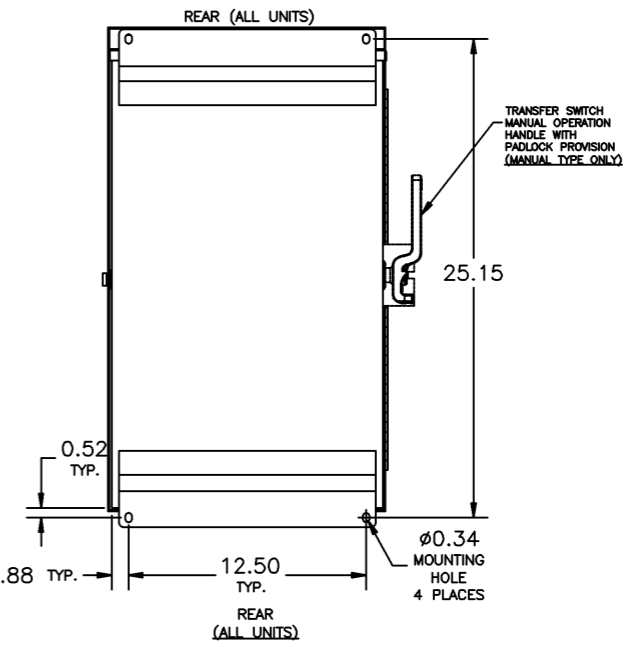
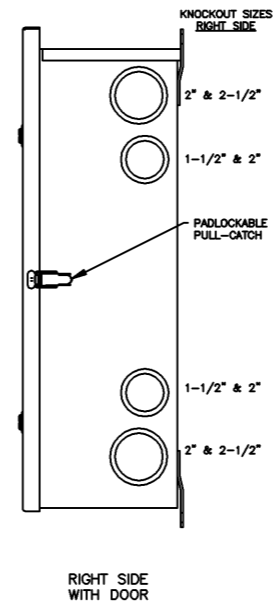
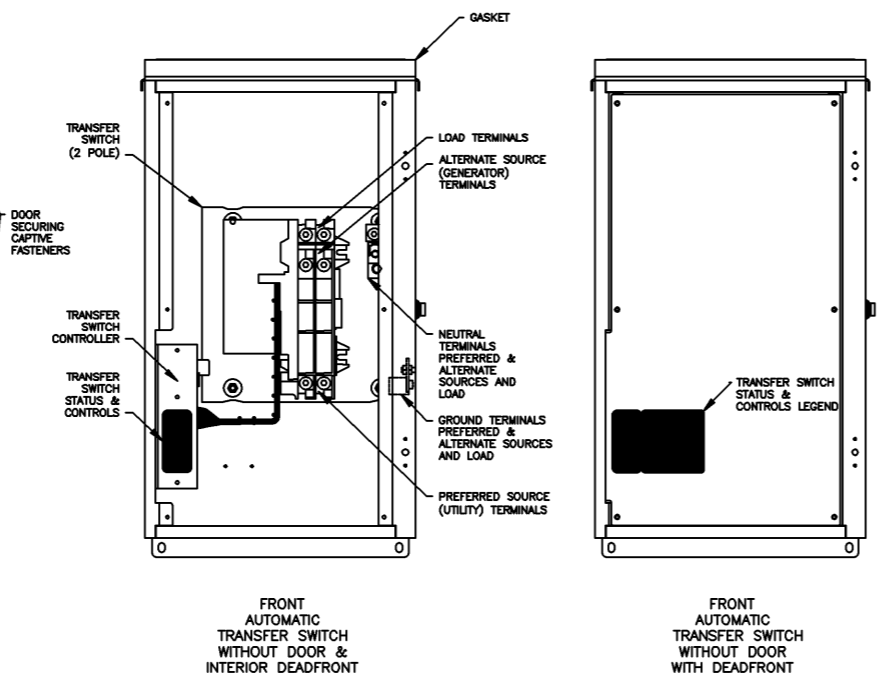
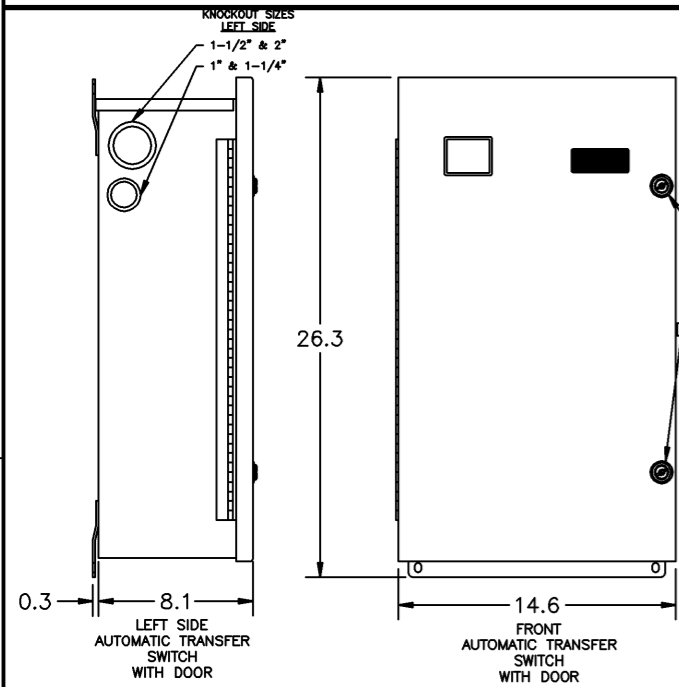


TOP WITH DOOR (ALL UNITS)



NOTES:

- Automatic & Manually Operated Power Transfer Switch: ASCO D185, 2 pole, 100, 200, & 230 amperes, 240 vac. Listed to UL 1008, Standard for Transfer Switching Equipment. For use on Optional Standby Systems as defined by NFPA 70 (National Electrical Code (NEC), Article 702).  
Transfer Controller (Automatic Type Only) – Group 4 Automatic Transfer Switch Controller including: (Refer to 185 Series Operator's Manual, PN 381333-319, supplied with the transfer switch for detailed information)  
**User Controls & Status Indication**  
Load on Preferred Source (Utility) LED indicator – green  
Load on Alternate Source (Generator) LED indicator – red  
Preferred Source (Utility) Acceptable LED indicator – green  
Alternate Source (Generator) Acceptable LED indicator – red  
Automatic Engine-Generator Exerciser (Setting & Engine Running) LED indicator  
Transfer Test membrane pushbutton  
Bypass Time Delay (active time delay or engine-generator exercise period) membrane pushbutton  
Set Engine Exerciser membrane pushbutton  
**Time Delays**  
Override Momentary Preferred Source (Utility) Outages – Factory set at 3 seconds  
Transfer to Alternate Source (Generator) – Factory set at 10 seconds  
Override Momentary Alternate Source (Generator) Outages – Factory set at 4 seconds  
Retransfer to Preferred Source (Utility) – 5 minutes/fix  
Engine-Generator Unloaded Running (Cooldown) Period – Factory set at 5 minutes  
**Control Signals**  
Engine-Generator Automatic Starting Controls – (1) form C contact  
**Remote Controls (Using Customer Supplied Contacts)**  
Remote Test Feature  
Remote Test with Automatic Retransfer to Preferred Source (Utility) Feature  
Bypass Time Delay on Retransfer to Preferred Source (Utility) Feature  
External Manual Transfer Operator (Manual Type Only) – Quick Make/Quick Break Operator for manual load transfer. Includes padlocking provision of operating handle.
- Enclosure: Listed to UL 50 Standard for Enclosures for Electrical Equipment. Type 3R Outdoor. 12 gauge aluminum alloy. Finish – RAL 7035 Light Gray Polyester Powder Coating.
- Neutral & Equipment Ground Terminations – Provided for Preferred (Utility) & Alternate (Generator) Sources and Load
- Conductor Sizes – 100 amps: (1) #14 AWG to 4/0 AWG Al or Cu. 200 & 230 amps: (1) #14 AWG to 4/0 AWG Cu ONLY.



BOTTOM WITH DOOR (ALL UNITS)

A		221452	JPB	JPB	01/19/09
		SEE ECN			
		220703	SDH	SDH	11/11/08
		ISSUE			
REV. TO SHEET	ECN NO.	BY	APP.	DATE	
PROJECT NAME: <b>OUTLINE &amp; MOUNTING 185 SERIES, TYPE 3R ENCLOSURE</b>					
185 SERIES (100, 200, & 230 AMPERES) AUTOMATIC & MANUALLY OPERATED POWER TRANSFER SWITCHES					
DRAWN BY	SDH	DATE	11/08	ASSEMBLY REF. NO.	
CHECKED		MANUFACTURING TOLERANCES TO BE IN ACCORDANCE WITH ASCO PROCEDURE MP-1-003. FOR PLASTIC PARTS SEE MP-1-005.			
APPROVAL		PROPERTY OF ASCO POWER TECHNOLOGIES. USE PERMITTED FOR OUR WORK ONLY. ALL RIGHTS OF DESIGN OR INVENTION ARE RESERVED.			
FINAL APPROVAL	SDH	DATE	11/08	SCALE	4.75 DS
		ASCO		ASCO POWER TECHNOLOGIES, LP.	844557-001
		FLORHAM PARK, NEW JERSEY 07832 U.S.A.		DRAWING NO.	221452
				REV.	A
				SHEET	10F1