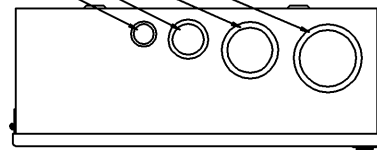


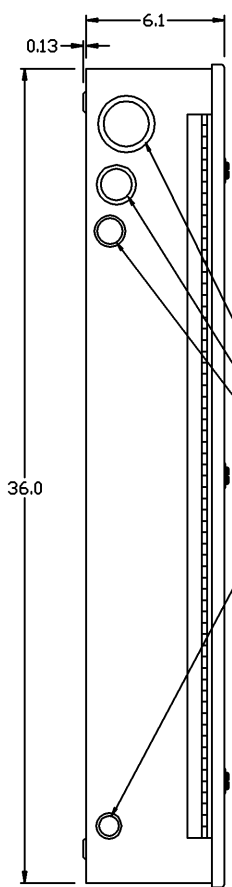
ASCO 185 SERIES SERVICE EQUIPMENT POWER TRANSFER SWITCH RATED 200 AMPS, 240V SINGLE PHASE, 3 WIRE

**Knockouts Sizes
TOP & BOTTOM**
 2" & 2-1/2"
 1-1/2" & 2"
 1" & 1-1/4"
 1/2" & 3/4"



TOP WITH DOOR

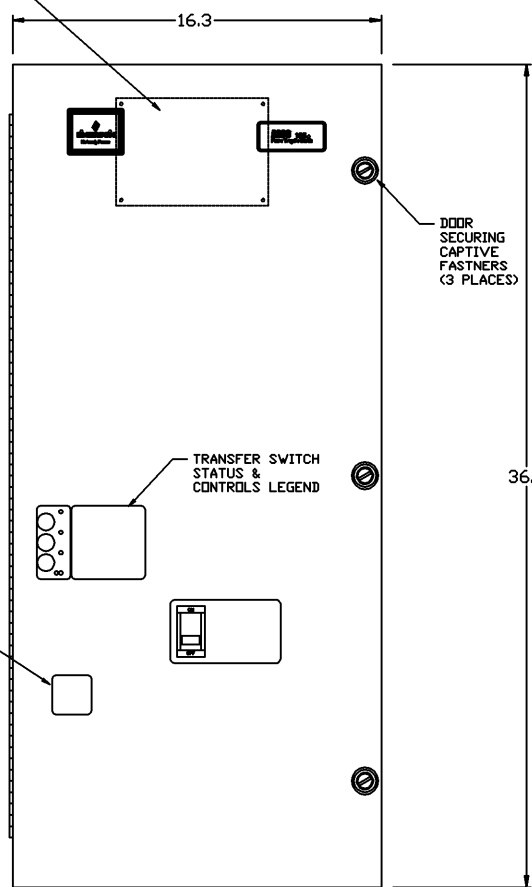
OPTIONAL ACC. 118G
 AUTOMATIC ENGINE-GENERATOR EXERCISER
 WITH POWER SOURCE AVAILABILITY SIGNAL
 CONTACTS
 (MOUNTED ON REAR OF DOOR)



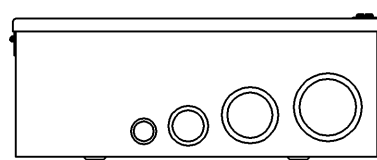
LEFT SIDE
 AUTOMATIC TRANSFER
 SWITCH
 WITH DOOR

**Knockouts Sizes
LEFT SIDE**
 1-1/2" & 2"
 1" & 1-1/4"
 3/4" & 1"
 1/2" & 3/4"

PLATE REMOVED
 WHEN OPTIONAL
 SURGE ARRESTOR
 SUPPLIED



FRONT
 AUTOMATIC TRANSFER
 SWITCH
 WITH DOOR



BOTTOM WITH DOOR

NOTES:

- Service Equipment Automatic Power Transfer Switch:
 ASCO D01AUS, 2 pole, 200 amperes, 240 vac. Listed to UL 1008, Standard for Transfer Switching Equipment. For use on Optional Standby Systems as defined by NFPA 70 (National Electrical Code (NEC), Article 702).
 * Suitable for use as service equipment—Normal Source Only. An additional disconnect must be readily accessible for the alternate source, unless the alternate source is an accessible generator and can be readily shutdown.
 Automatic Power Transfer Switch: ASCO D185, 2 pole, 200 amp, 240 vac. UL Listed to UL 1008 Standard for Transfer Switching Equipment.
 Transfer Controller - ASCO Group 4 Automatic Transfer Switch Controller including: (Refer to 185 Series Operator's Manual, PN 381333-319, supplied with the transfer switch for detailed information)
User Controls & Status Indication
 Load on Preferred Source (Utility) LED indicator - green
 Load on Alternate Source (Generator) LED indicator - red
 Preferred Source (Utility) Acceptable LED indicator - green
 Alternate Source (Generator) Acceptable LED indicator - red
 Automatic Engine-Generator Exerciser (Setting & Engine Running) LED indicator
 Transfer Test membrane pushbutton
 Bypass Time Delay (active time delay or engine-generator exercise period) membrane pushbutton
 Set Engine Exerciser membrane pushbutton

Time Delays

- Override Momentary Preferred Source (Utility) Outages - Factory set at 3 seconds
- Transfer to Alternate Source (Generator) - Factory set at 10 seconds
- Override Momentary Alternate Source (Generator) Outages - Factory set at 4 seconds
- Retransfer to Preferred Source (Utility) - 5 minutes/fix
- Engine-Generator Unloaded Running (Cooldown) Period - Factory set at 5 minutes

Control Signals

Engine-Generator Automatic Starting Controls - (1) form C contact

Remote Controls (Using Customer Supplied Contacts)

- Remote Test Feature
- Remote Test with Automatic Retransfer to Preferred Source (Utility) Feature
- Bypass Time Delay on Retransfer to Preferred Source (Utility) Feature

2) Enclosure: Listed to UL 50 Standard for Enclosures for Electrical Equipment. Type 1 Indoor. Constructed of 14 gauge steel. Finish - RAL 7035 Light Gray Polyester Powder Coating.

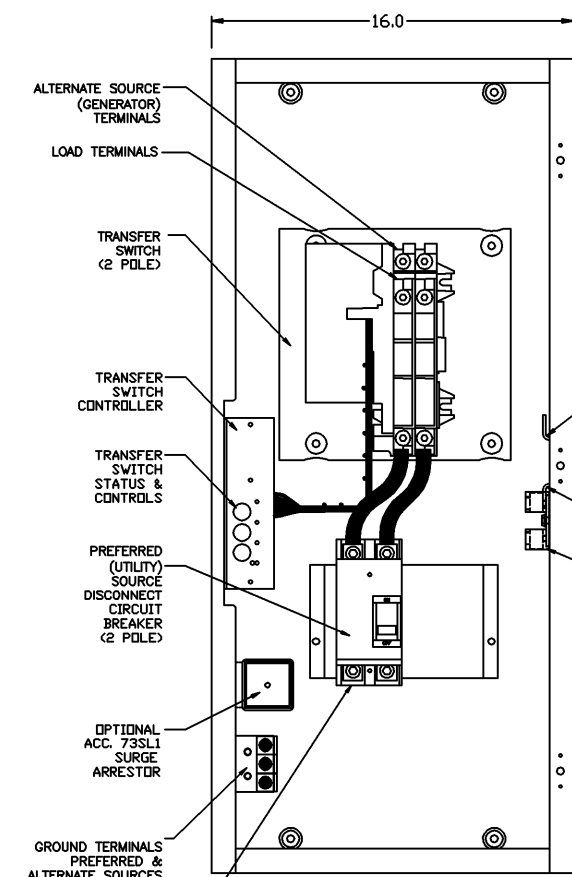
3) Neutral & Equipment Ground Terminations - Provide for Preferred (Utility) & Alternate (Generator) Sources and Load.

4) Conductor Sizes - 200 amps: (1) #14 AWG to 4/0 AWG Cu ONLY, Alternate (Generator) Source and Load
 (1) #4 AWG to 300 MCM, Preferred (Utility) Source

5) Main Bonding Jumper factory installed in the Disconnected position.

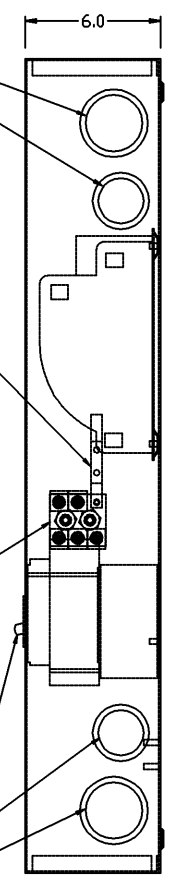
6) When used for Service Entrance the Main Bonding Jumper is to be removed from the Disconnected position and re-installed in the Connected position, with the existing hardware and one (1) additional 1/4-20 thread forming screw, which connects the Main Bonding Jumper to the Neutral Terminal Assembly.

7) Short Circuit Rating:
 (Main): 10kA at 240 vac (Preferred (Utility) Source Disconnect Circuit Breaker), Square-D Cat. No. QBL22200, 2 pole, 200 amp.



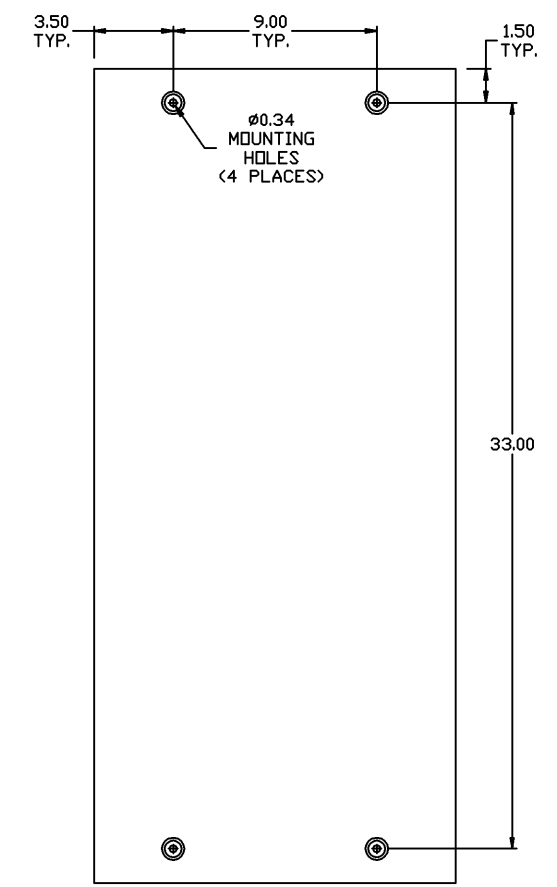
FRONT
 AUTOMATIC TRANSFER
 SWITCH
 WITHOUT DOOR

**Knockouts Sizes
TOP RIGHT SIDE**
 2" & 2-1/2"
 1-1/2" & 2"

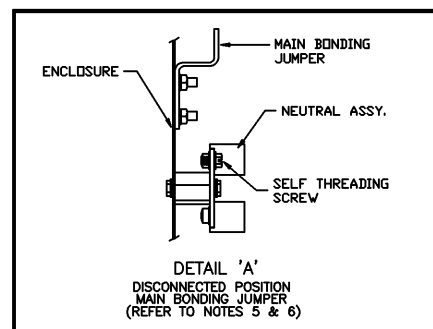


RIGHT SIDE
 AUTOMATIC TRANSFER
 SWITCH
 WITHOUT DOOR

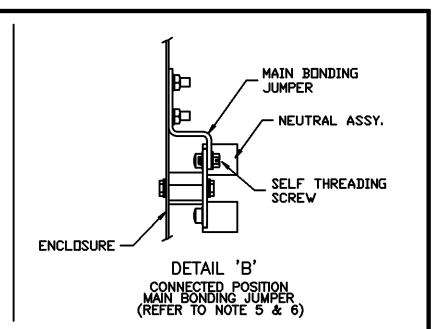
**Knockouts Sizes
BOTTOM RIGHT SIDE**
 1-1/2" & 2"
 2" & 2-1/2"



REAR
 AUTOMATIC TRANSFER
 SWITCH



DETAIL 'A'
 DISCONNECTED POSITION
 MAIN BONDING JUMPER
 (REFER TO NOTES 5 & 6)



DETAIL 'B'
 CONNECTED POSITION
 MAIN BONDING JUMPER
 (REFER TO NOTE 5 & 6)

PROJECT NAME:		REV. TO SHEET		EDN NO.	BY	APP.	DATE
OUTLINE & INSTALLATION		221452		JPB	JPB		01/16/09
SERIES 185, 200A, TYPE 1, D01AUS, GRP 4 CONTROLLER		221364		JPB	JPB		01/12/09
SUITABLE FOR SERVICE EQUIPMENT - NORMAL SOURCE ONLY		220715		JPB	JPB		11/12/08
		219818		JPB	JPB		08/18/08
		ISSUE					
DRAWN BY: JPB		DATE: 08/15/08		MANUFACTURING TOLERANCES TO BE IN ACCORDANCE WITH ASCO PROCEDURE MP-1-003. FOR PLASTIC PARTS SEE MP-1-055		ASSEM. REF. NO.	
CHECKED: JPB		DATE: 08/15/08		PROPERTY OF ASCO POWER TECHNOLOGIES. USE PERMITTED FOR OUR WORK ONLY. ALL RIGHTS OF DESIGN OR INVENTION ARE RESERVED.		COMPUTER GENERATED DRAWING	
FINAL APPROVAL: JPB		DATE: 08/15/08		ASCO POWER TECHNOLOGIES, LP.		SCALE: 1/4" = 1" SIZE: DS	
				FLORHAM PARK, NEW JERSEY 07932 U.S.A.		DWG. NO.: 851743	
						DRAWING C	
						EDN: 221452	
						SHEET 10F1	