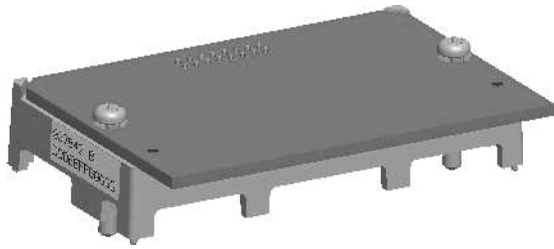


Accessory 11BE Kit 935147 Kit Installation

ASCO® Series 300 Transfer Switches with a Group G Controller



Overview

These kit instructions explain how to install accessory 11BE Kit 935147 on Series 300 transfer switches with a Group G Controller.

Accessory 11BE is a four-function software bundle. Refer to **User's Guide 381333-400** for further information on this accessory. The four functions are:

Communication Under the *General* settings, a screen allows the user to configure *Communication* (RS485 port).

Programmable Exerciser Under the *Engine Exerciser* settings, a screen allows the user to configure the advanced exerciser.

Event Log Under the *Event Log* main menu, a screen allows the user to view events.

Common Alarm Under the *General* settings, a screen allows the user to configure *Common Alarms*.

Kit Contents

The accessory 11BE kit includes a dongle assembly:

- PC board with plug
- support frame
- two mounting screws with washers

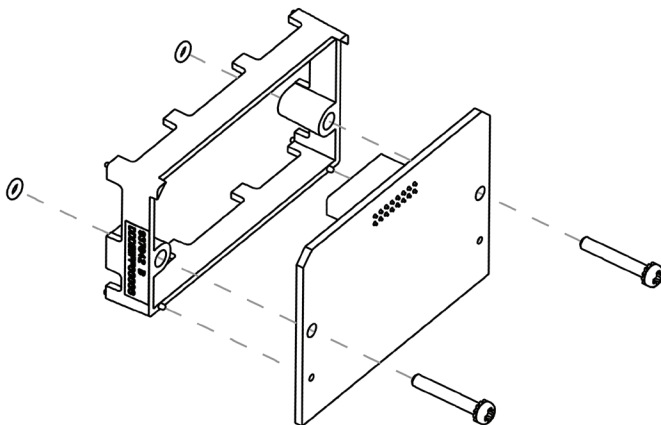


Figure 1. Accessory 11BE dongle kit.



Hazardous voltage capable of causing shock, burns, or death is used in this transfer switch. Deenergize both normal and emergency power sources before installing the kit.

Installation

1. Deenergize the transfer switch. Then open the enclosure door and verify that all power is off.
2. Locate the Group G controller that is mounted on the inside of the door. Do not remove controller cover. Refer to Figures 1, 2, 3, and 4.
3. Position the dongle (with plug at top facing inward) onto the lower left area of the controller. Align the plug and socket and push it straight inward. The four corners of the support base, and mounting screws should fit into holes in the controller. Gently tighten the two screws. Do not over tighten.

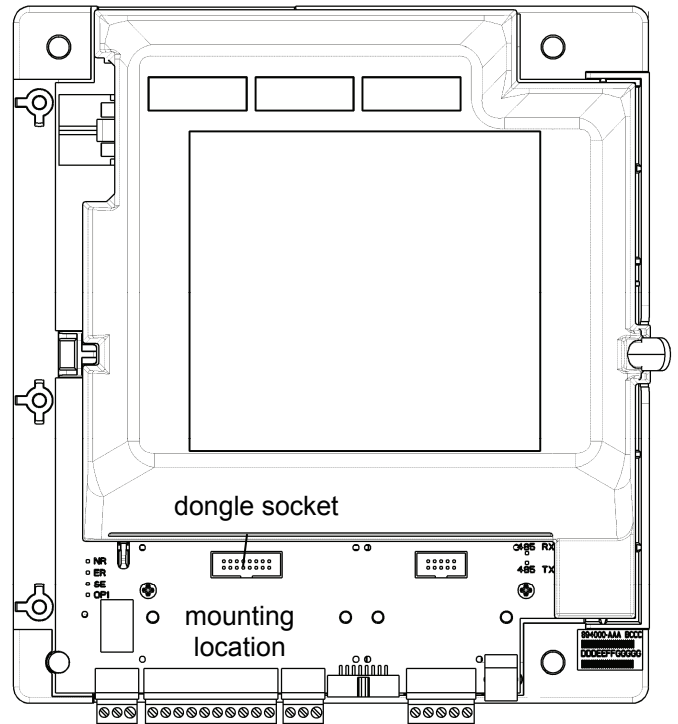


Figure 2. Mounting location on Group G controller.

(continued on the next page)

381339-315



Figure 3. Detail of mounting location.

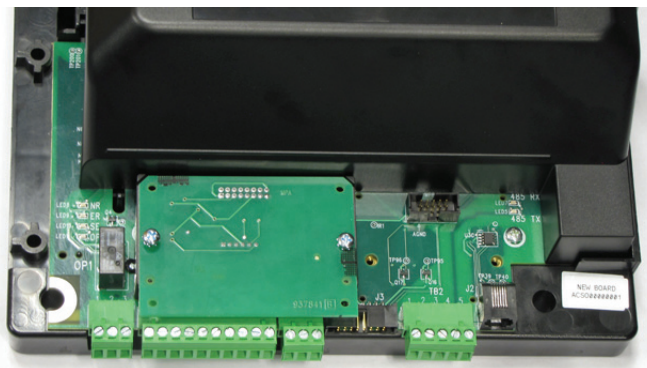


Figure 4. Detail of installed dongle.

4. After installation, close the enclosure door. Reenergize the transfer switch.
5. Refer to **User's Guide 381333-400** for further information on this accessory.

The four new functions in accessory 11BE are:

Communication Under the *General* settings, a screen allows the user to configure *Communication* (RS485 port).

Programmable Exerciser Under the *Engine Exerciser* settings, a screen allows the user to configure the advanced exerciser.

Event Log Under the *Event Log* main menu, a screen allows the user to view events.

Common Alarm Under the *General* settings, a screen allows the user to configure *Common Alarms*.

Accessory 11BE Kit Installation Record

Accessory 11BE Kit Number	_____
Installation Date	_____
Transfer Switch Serial Number	_____
Transfer Switch Catalog Number	_____
Installer's Name	_____
Installer's Company	_____
Customer Name	_____
Customer Company	_____