


OUTLINE FOR ASCO® 300 SERIES TRANSFER SWITCHES (D3ATS/D3NTS) 30-200 AMPERES, TYPE 1 ENCLOSURE

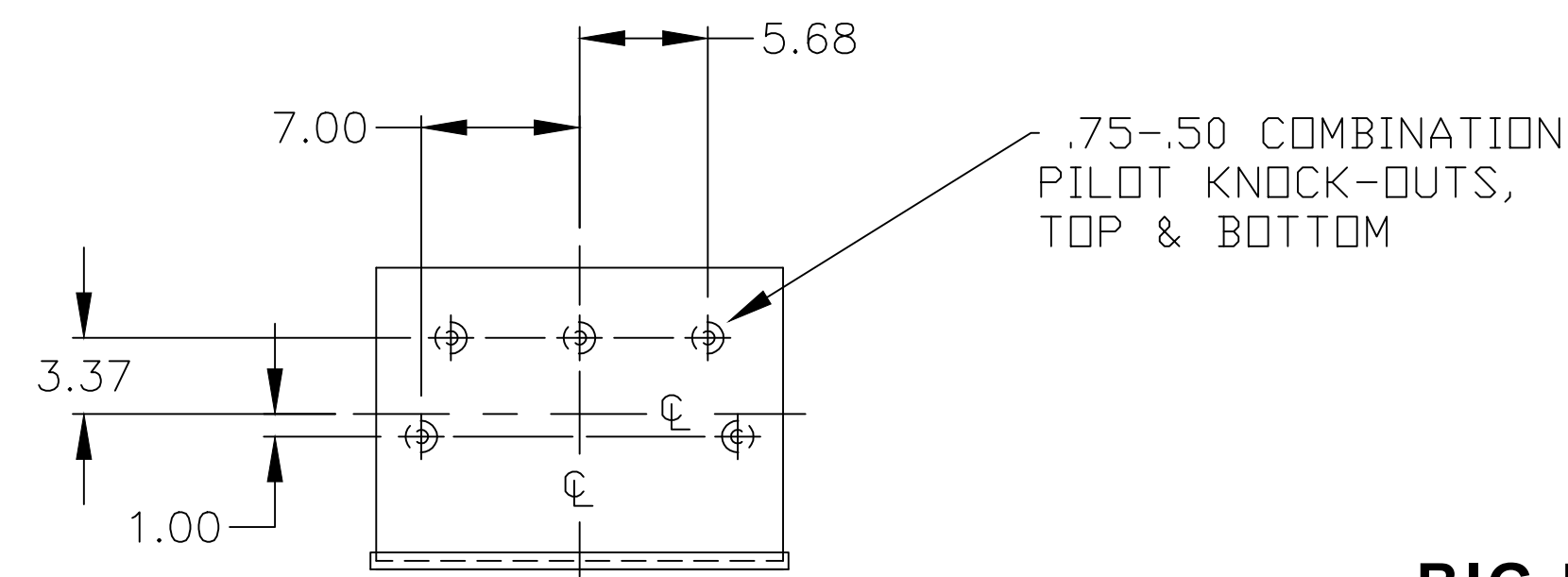
GENERAL NOTES

1. TYPE 1 WALL MOUNTED ENCLOSURE.
2. STANDARD FINISH – LIGHT GRAY, ANSI 61.
OTHER FINISHES AVAILABLE CONSULT FACTORY.
3. KEY LOCKABLE HANDLE.
4. REMOVABLE SINGLE DOOR
5. TERMINALS – SCREW TYPE LUGS FOR EXTERNAL POWER CONNECTIONS.
6.  = CENTER OF GRAVITY.
7. THREE POLE SWITCH WITH SOLID NEUTRAL SHOWN FOR REFERENCE.
8. NEUTRAL CONFIGURATIONS:

AN OPTIONAL FULL RATED NEUTRAL CONFIGURATION FOR EACH SOURCE AND THE LOAD MAY BE PROVIDED. WHEN EQUIPPED IT IS IN ONE OF THE FOLLOWING FORMATS AS SPECIFIED BY THE CATALOG NUMBER NO. NEUTRAL TYPE:

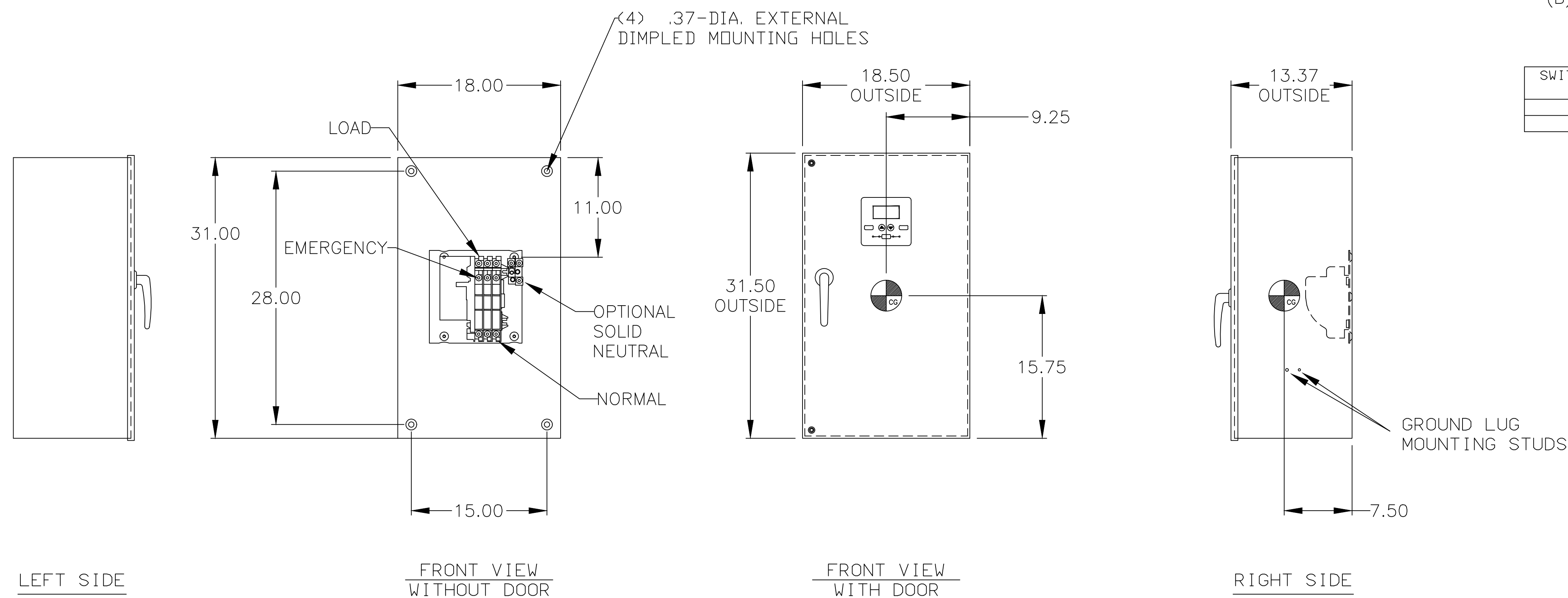
- (A) SOLID (COPPER BUS) NEUTRAL
- (B) SWITCHED NEUTRAL POLE

SWITCH RATING (AMPS)	RANGE OF WIRE
30-150	(1) #14 TO 4/0 AWG AL-CU WIRE
200	(1) #14 TO 4/0 AWG COPPER WIRE



TOP VIEW
TYP. TOP & BOTTOM

BIG LAKE SUPPLY LLC
(866)321-6855
sales@biglakesupply.com
www.transferswitch4less.com



B	252058	WK	BK	12/03/14
A	248677	BWM	SDH	5/30/14
-	245035	BWM	SDH	10/24/13

PROJECT NAME:		REV. TO SHEET	ECN NO.	BY	APP.	DATE
COMPOSITE OUTLINE						
300 SERIES, D3ATS/D3NTS RATED 30-200 AMPERES						
TYPE 1 ENCLOSURE		THIRD ANGLE PROJECTION				
BY	DATE	MANUFACTURING TOLERANCES TO BE IN ACCORDANCE WITH ASCO PROCEDURE MP-1-003. FOR PLASTIC PARTS SEE MP-1-055		ASSEM. REF. NO.	COMPUTER GENERATED DRAWING	
DRAWN BY	BWM	10/24/13			SCALE	NONE
CHECKED					SIZE	DS
PROJECT APPROVAL	SDH	10/24/13	PROPERTY OF ASCO POWER TECHNOLOGIES. USE PERMITTED FOR OUR WORK ONLY. ALL RIGHTS OF DESIGN OR INVENTION ARE RESERVED.		DWG. NO.	978723
FINAL APPROVAL			ASCO ASCO POWER TECHNOLOGIES, L.P. FLORHAM PARK, NEW JERSEY 07932 U.S.A.		DRAWING B	ECN NO. 252058
						SHEET 1 OF 1