


8 7 6 5 4 3 2 1

OUTLINE FOR ASCO® 300 SERIES TRANSFER SWITCHES (D3ATS/D3NTS) 30-200 AMPERES, TYPE 3R/4/4X/12 ENCLOSURE

GENERAL NOTES

1. TYPE 3R/4/4X/12 WALL MOUNTED ENCLOSURE.
2. STANDARD FINISH – LIGHT GRAY, ANSI 61.
3. SINGLE DOOR, RIGHT SIDE HINGE, SIDE PADLOCK HASP AND PLATED DOOR CLAMPS ON LEFT SIDE.
4. TERMINALS – SCREW TYPE LUGS FOR EXTERNAL POWER CONNECTIONS.
5.  = CENTER OF GRAVITY.
6. THREE POLE SWITCH WITH SOLID NEUTRAL SHOWN FOR REFERENCE.
7. NEUTRAL CONFIGURATIONS:

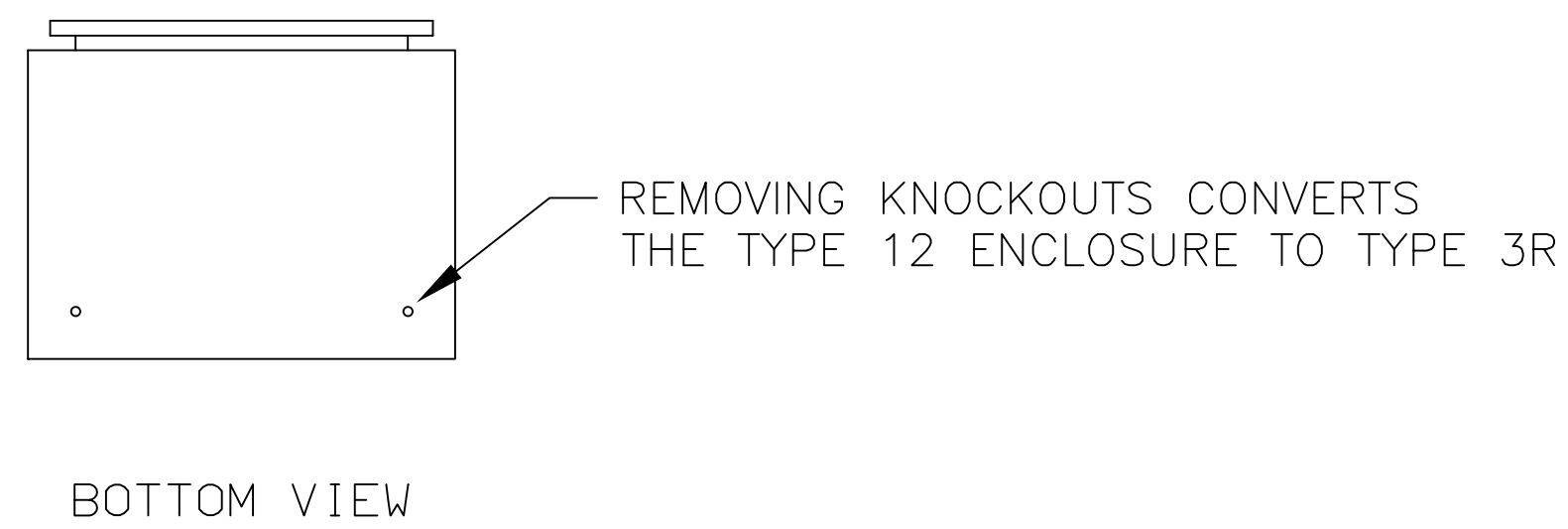
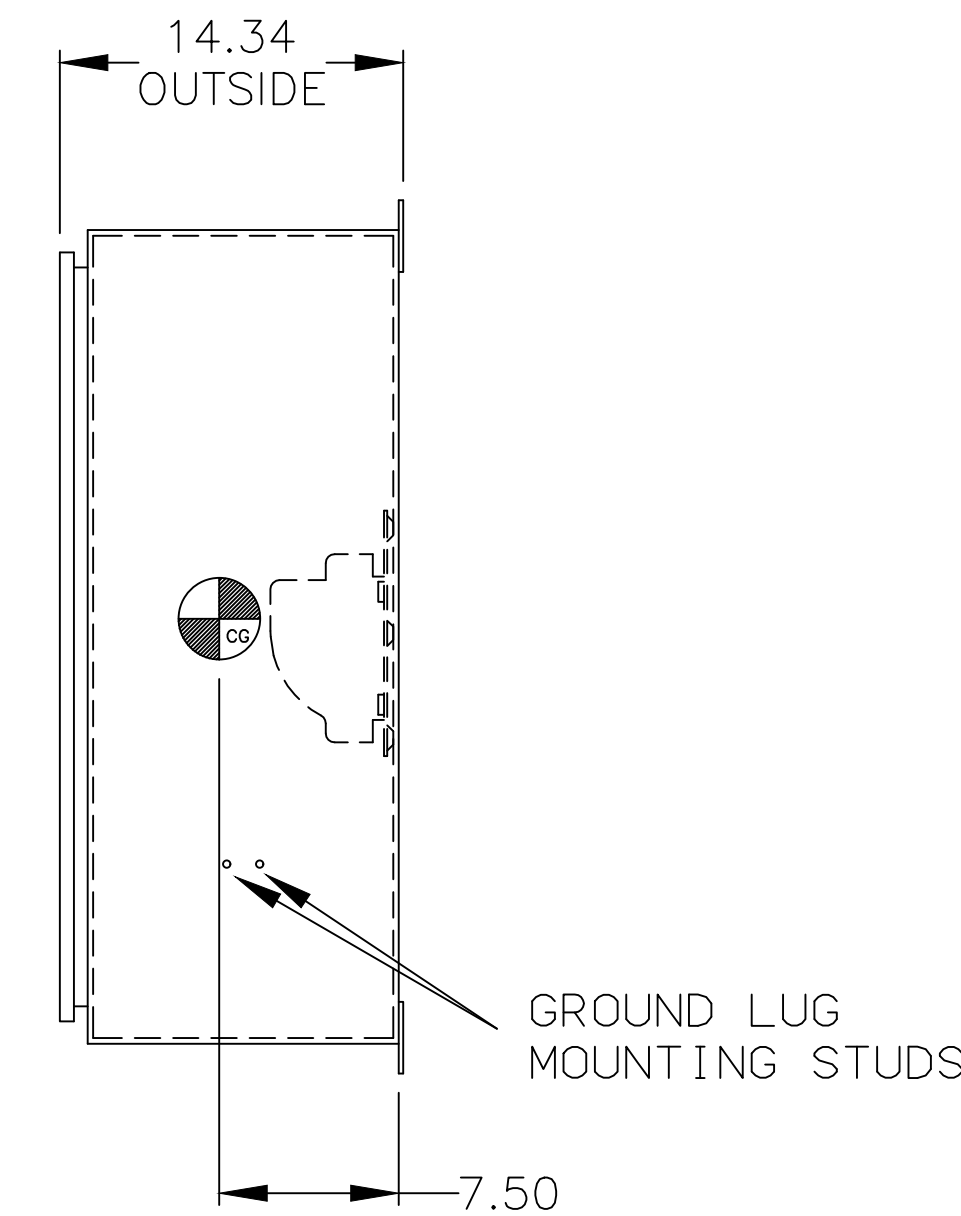
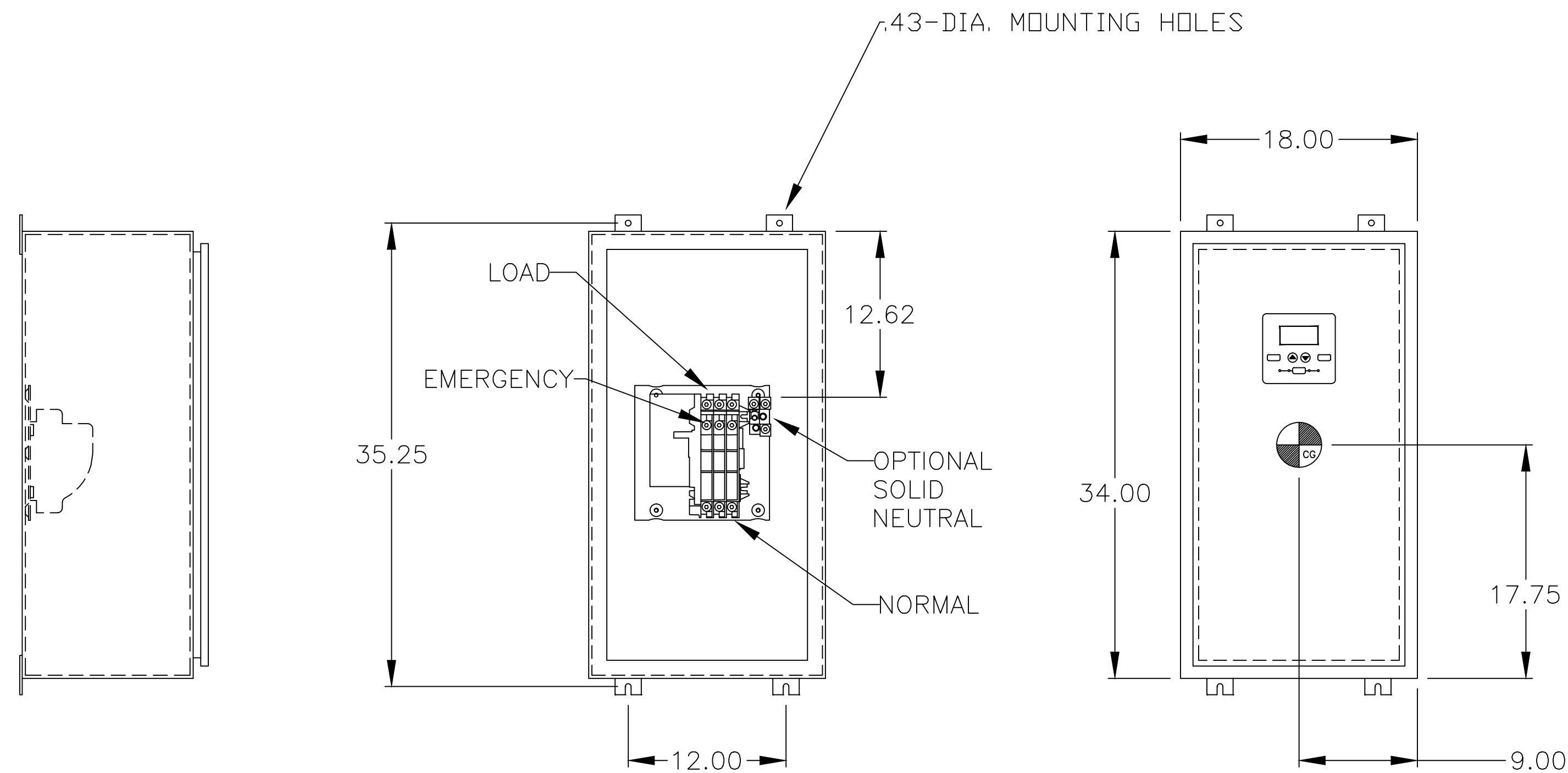
AN OPTIONAL FULL RATED NEUTRAL CONFIGURATION FOR EACH SOURCE AND THE LOAD MAY BE PROVIDED. WHEN EQUIPPED IT IS IN ONE OF THE FOLLOWING FORMATS AS SPECIFIED BY THE CATALOG NUMBER NO. NEUTRAL TYPE:

- (A) SOLID (COPPER BUS) NEUTRAL
- (B) SWITCHED NEUTRAL POLE

| SWITCH RATING (AMPS) | RANGE OF WIRE |
|----------------------|--------------------------------|
| 30-150 | (1) #14 TO 4/0 AWG AL-CU WIRE |
| 200 | (1) #14 TO 4/0 AWG COPPER WIRE |

APPROXIMATE SHIPPING WEIGHT, LBS (KG)

| AMP SIZE | POLES | WEIGHT |
|----------|---------|---------|
| 30-200 | A2 & B2 | 87 (39) |
| | A3 & B3 | 90 (40) |



BIG LAKE SUPPLY LLC
 (866)321-6855
sales@biglakesupply.com
www.transferswitch4less.com

| | | | | |
|---------|--------|-----|-----|----------|
| B | 252058 | WK | BK | 12/03/14 |
| SEE ECN | | | | |
| A | 248677 | BWM | SDH | 5/30/14 |
| SEE ECN | | | | |
| — | 245266 | BWM | SDH | 11/6/13 |
| ISSUE | | | | |

| | | | | | | |
|--|------|---|-----------------|---|----------------|--------------|
| PROJECT NAME: | | REV. TO SHEET | ECN NO. | BY | APP. | DATE |
| COMPOSITE OUTLINE | | | | | | |
| 300 SERIES, D3ATS/D3NTS RATED 30-200 AMPERES | | | | | | |
| TYPE 3R/4/4X/12 ENCLOSURE | | | | | | |
| BY | DATE | MANUFACTURING TOLERANCES TO BE IN ACCORDANCE WITH ASCO PROCEDURE MP-1-003. FOR PLASTIC PARTS SEE MP-1-005 | ASSEM. REF. NO. | COMPUTER GENERATED DRAWING | | |
| DRAWN BY | BWM | 11/6/13 | | SCALE | NONE | SIZE DS |
| CHECKED | | | | PROPERTY OF ASCO POWER TECHNOLOGIES. USE PERMITTED FOR OUR WORK ONLY. ALL RIGHTS OF DESIGN OR INVENTION ARE RESERVED. | | |
| PROJECT APPROVAL | SDH | 11/6/13 | | DWG. NO. | 978723-002 | |
| FINAL APPROVAL | | | | DRAWING B | ECN NO. 252058 | SHEET 1 OF 1 |